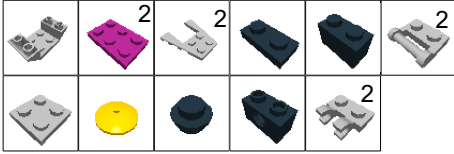
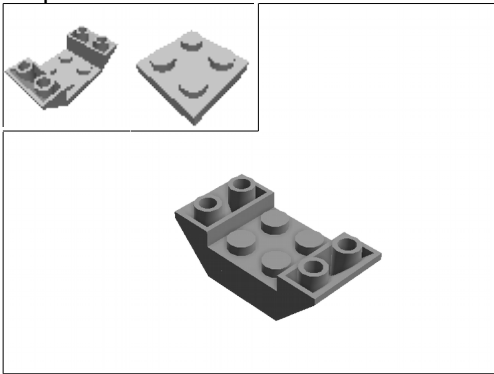


James Webb Space Telescope

Model design by William Taylor

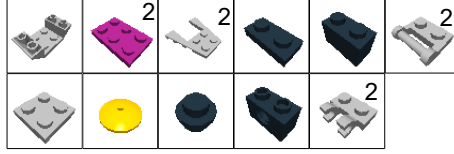


Step 1:

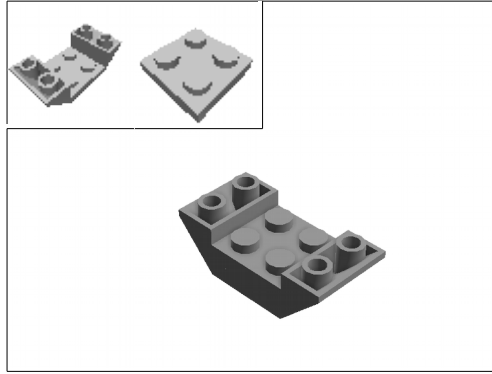


James Webb Space Telescope

Model design by William Taylor

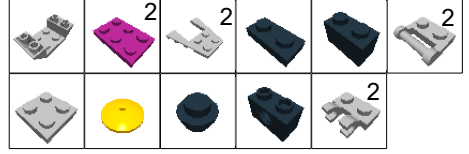


Step 1:

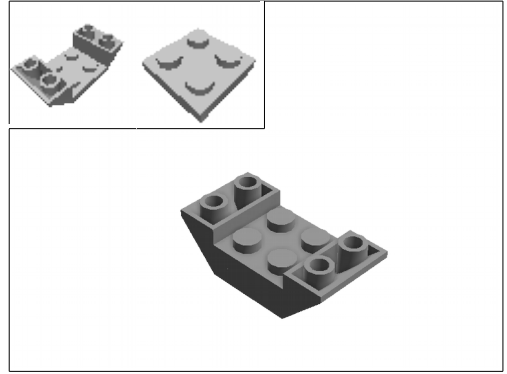


James Webb Space Telescope

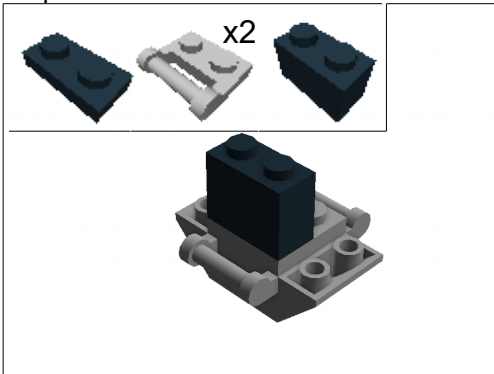
Model design by William Taylor



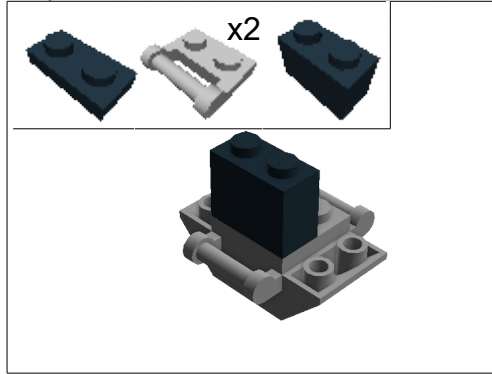
Step 1:



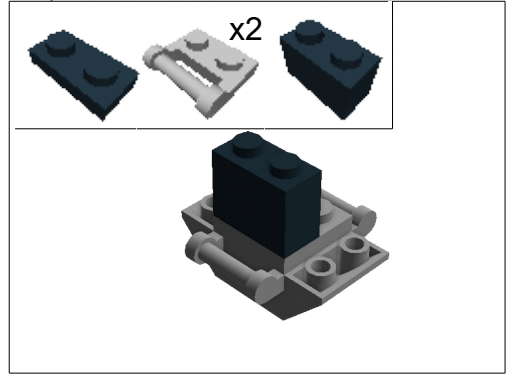
Step 2:



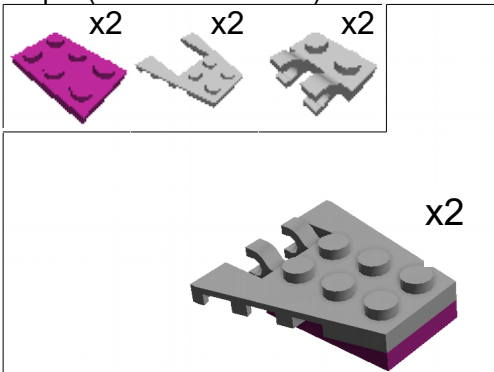
Step 2:



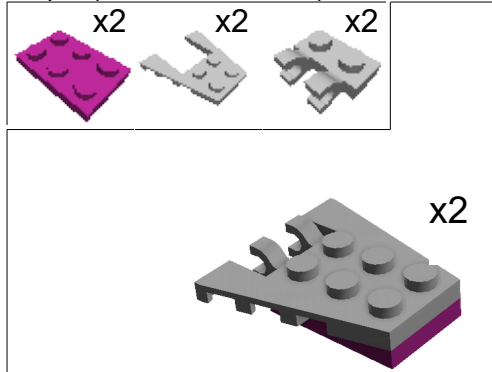
Step 2:



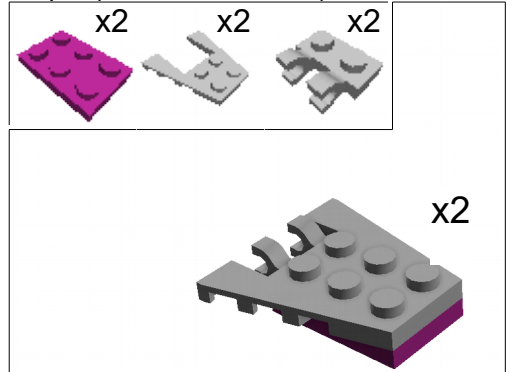
Step 3 (make two of these):



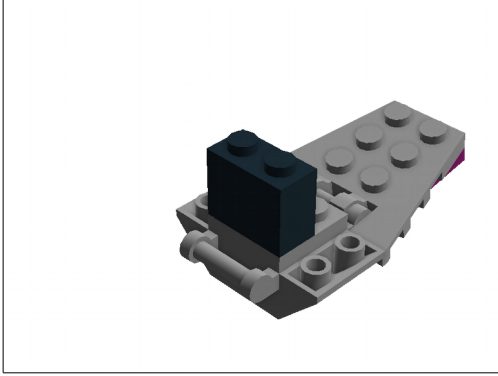
Step 3 (make two of these):



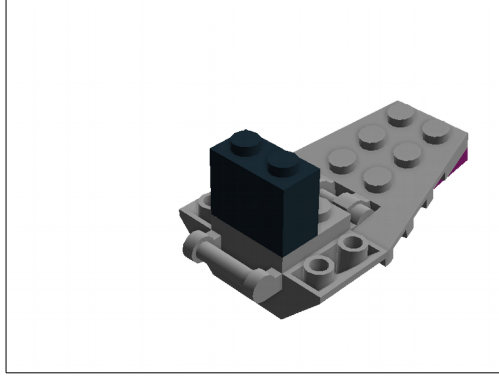
Step 3 (make two of these):



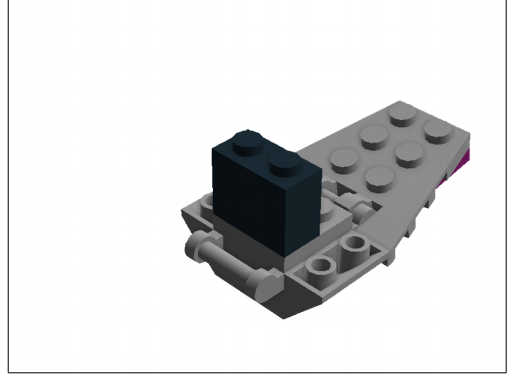
Step 4 (assemble):



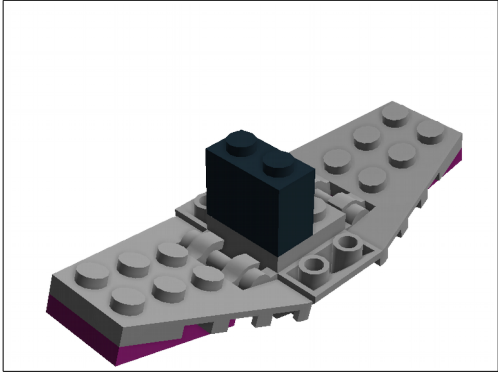
Step 4 (assemble):



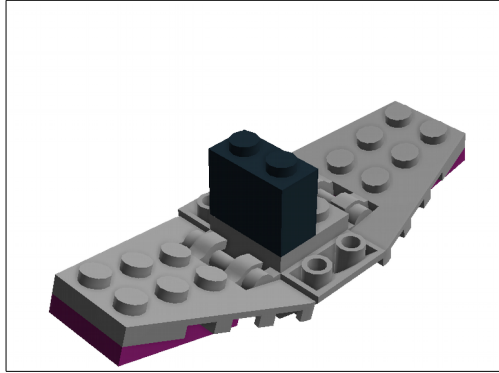
Step 4 (assemble):



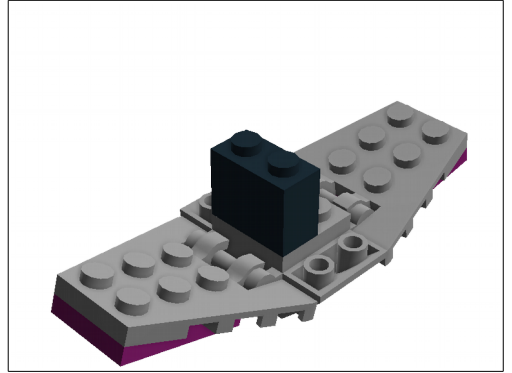
Step 5 (assemble):



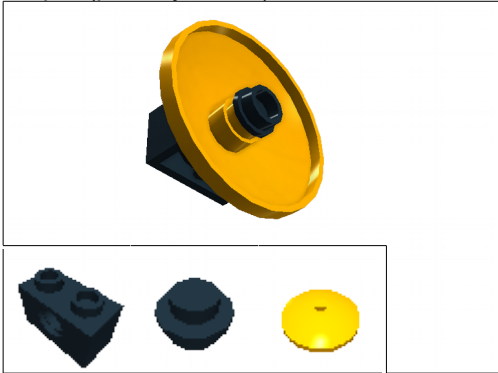
Step 5 (assemble):



Step 5 (assemble):



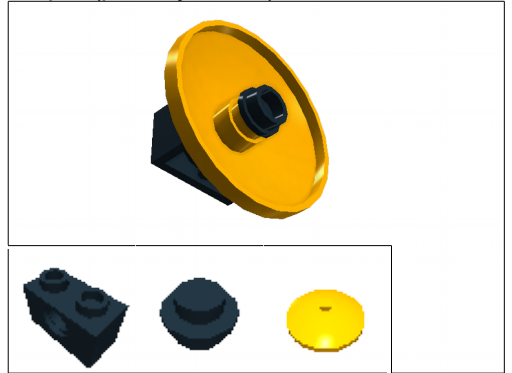
Step 6 (primary mirror):



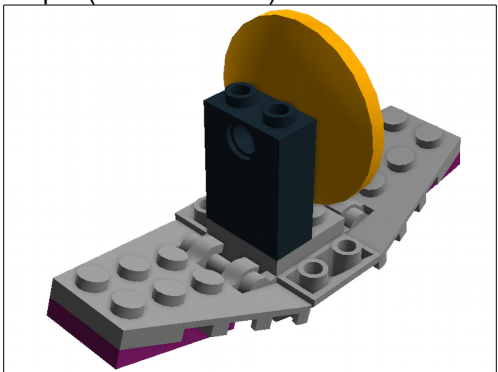
Step 6 (primary mirror):



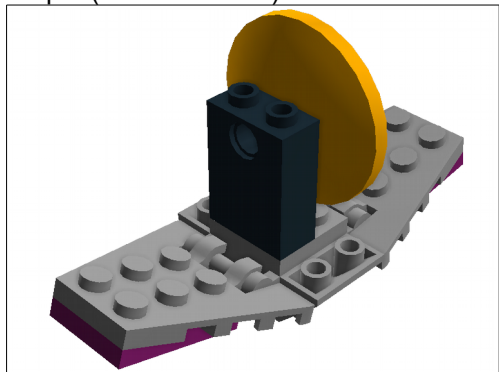
Step 6 (primary mirror):



Step 7 (finished model):



Step 7 (finished model):



Step 7 (finished model):

